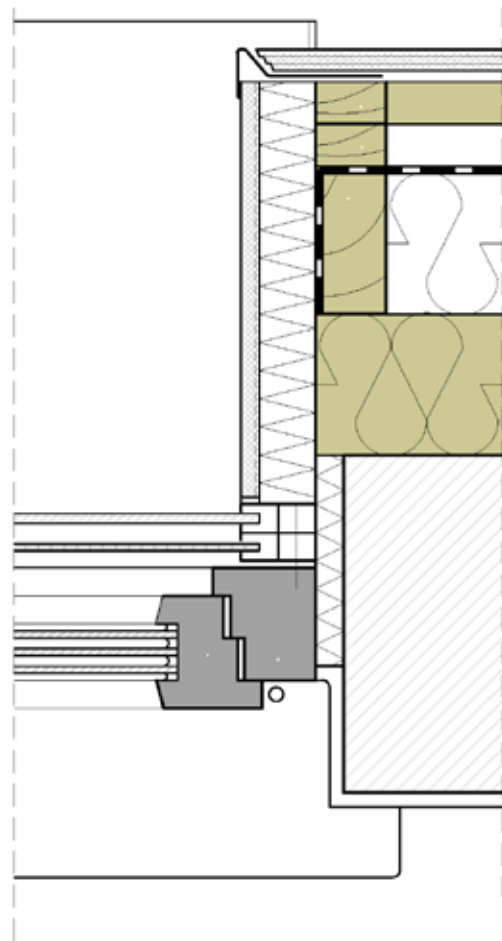
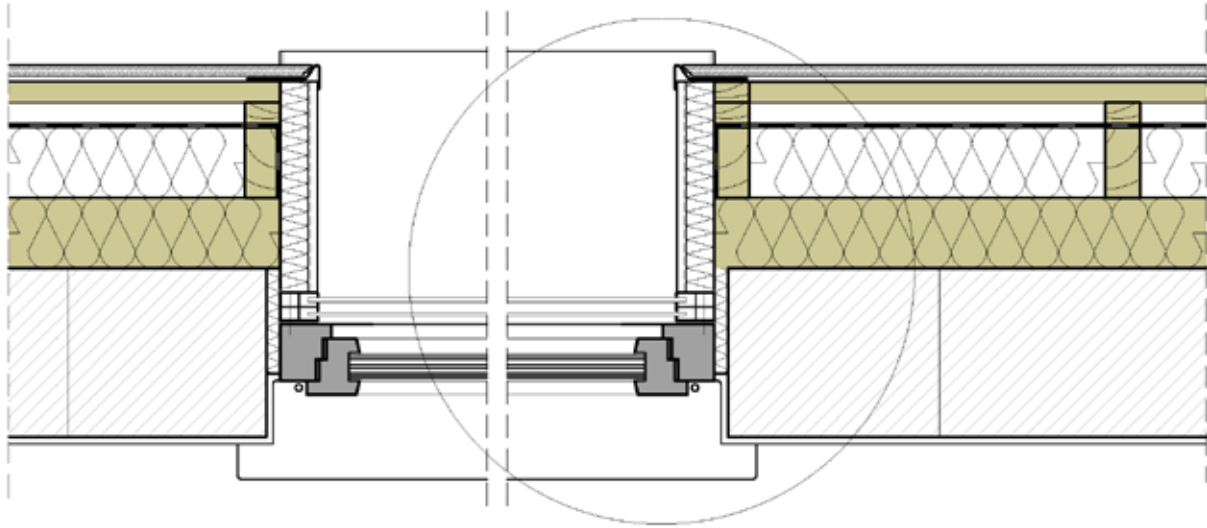




NORTH
AMERICAN
SLATE



SLATE DETAILS

Description

Slate facade - execution window reveal with plaster



The possible execution in normal case is described. The user is obliged to check the feasibility of the execution under consideration of the concrete local conditions on his own responsibility. Any liability of North American Slate for damages and further claims of any kind is excluded.

NORTH AMERICAN SLATE, LLC
270 Marble Ave Pleasantville, NY 10570
Tel : 802 499 8168 Cell: 802 417 6334
info@northamericanslate.com
northamericanslate.com